

Stand Up

NEW KHARA

BUSINESS RANGE





STAND UP

NEW KHARA

Phone booth - 1 person

An intelligent smart pod for one-person use. It is built with innovative features that make it an excellent option for all types of use, representing one of the best solutions for small spaces. Stand UP features are optimized to fit all types of offices. It's a pod for short telephone conversations, carried out in a perfectly isolated, uninterrupted environment.

This range features optional ARS® (Air Cooling System) to help cool the temperature inside the pod by up to 3 degrees. It can be fitted with a back support.

This cabin can be delivered ready to use.



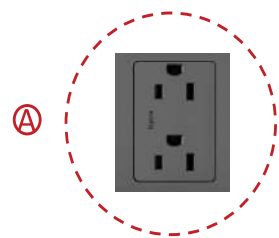
COMPONENT'S CERTIFICATIONS



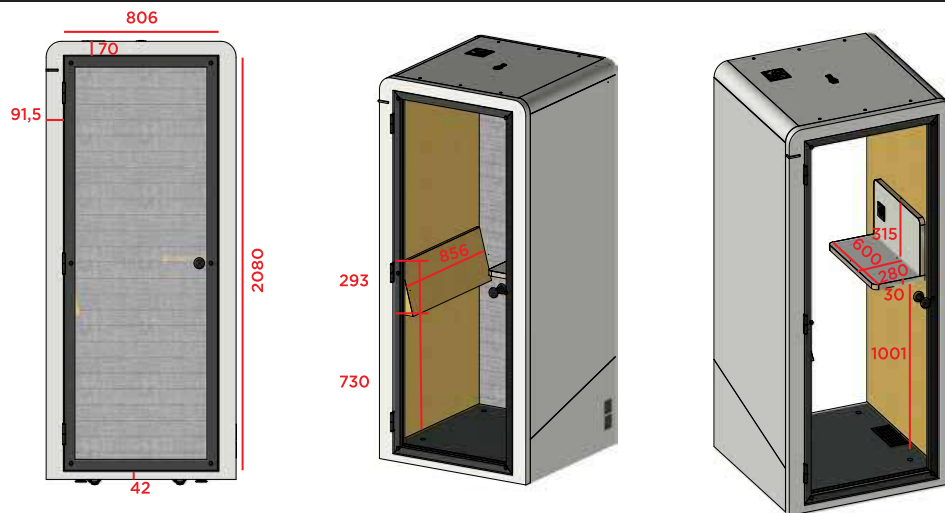
Stand Up

NEW KHARA

BUSINESS RANGE



Connections:
1 x 110v + USB A + USB C
Option: 1 x HDMI + 1 X RJ45



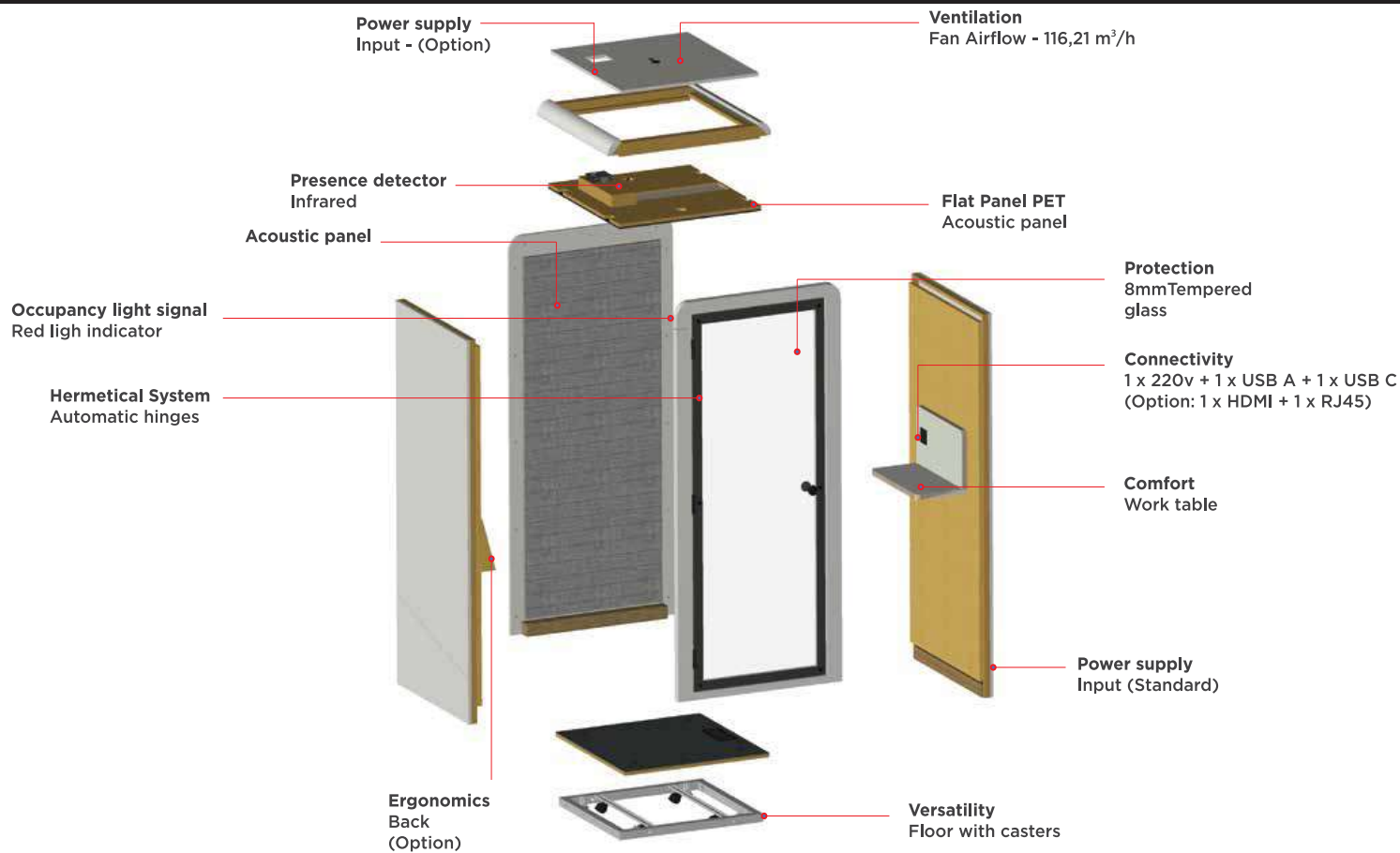
****Available with full or glazed back
 Choice of door opening direction = left or right

DIMENSIONS LENGTH WIDTH HEIGHT	1000mm x 1000mm x 2200mm
WEIGHT	220kg
ACOUSTICS	Up to 29.5 dB according to ISO 23351-1:2020
VENTILATION	Ultra silent - Fresh air in less than a minute - 116,21m ³ /h
OCCUPIED SURFACE	0,90m ²
CONNECTIONS	1 x 220v + 1 x USB A + 1 x USB C (Option: 1 x HDMI + 1 x RJ45)
ELECTRICAL CONSUMPTION	31,4 w (Standby 12 w)

New Khara Technology

Discover our technological systems in the New Khara range

Acoustic Up to 29,5 dbA According to ISO 23351-1:2020	Ventilation Ventilation intensity regulation	Compact Optimized surface	Mobile 4 integrated wheels	Light Illumination intensity regulation
---	--	---	--	---



IN
1 x Fan - 120mm
Fan Airflow---116,21 m³/h

OUT
No Fan
Natural air flow
On the floor



FAN - 120mm
Specifications:
Dimension -----120x120x25 mm
Fan Airflow -----116,21 m³/h

INNOVATION AND LUXURY | OPTION



WOOD - BRUT CP

The structure of our smart pods is made of birch plywood. This type of plywood is produced from 100% birch wood, obtained by gluing adjacent layers together with crossed, right-angled wires of high quality and durability. It offers a number of advantages, including durability, wear resistance and resistance to more aggressive environments.



ACOUSTICS AND DESIGN

"CUBIC BY GABRIEL" is an embossed fabric. It features an elegant embossed pattern with a distinctive, youthful touch and a soft, luxurious feel.

- Embossed fabric with foam backing
- Flammability certification: flame retardant - EN 10211
- 3D pattern
- Soft and voluminous
- Superior comfort
- Durable and resistant - Acoustic

OTHER SIDES OPTION - SIDES



Pet acoustic:

Composition: 100% recycled PET, made from post-consumer recycled plastic bottles.



Cork & recycled rubber:

Made from recycled rubber and granulated cork. An excellent solution for acoustics.



100% natural cork:

100% natural, reusable and recyclable, an excellent solution for acoustics.

STAND UP *by*

 **Esedis Group**

NET POSITIVE GROUP

Ph. +1 437 882 9264 - +1 581 3093 1626

CONTACT@ESEDIS-GROUP.COM

WWW.ESEDIS-GROUP.COM

CERTIFIED
ISO 9001



PT008341

